

**PART B**  
**General Engineering**  
**(ELECTRICAL)**

1. (a) The resistance of copper winding of a motor at room temperature of  $25^{\circ}\text{C}$  is  $3.0\ \Omega$ . After an extended operation of the motor at full load, the winding resistance increases to  $4.0\ \Omega$ . Find the temperature rise. Given that the temperature coefficient of copper at  $0^{\circ}\text{C}$  is  $0.00426\ \Omega/^{\circ}\text{C}/\Omega$ . 15
- (b) A toaster rated at  $2000\ \text{W}$ ,  $240\ \text{V}$  is connected to a  $230\ \text{V}$  supply. Will the toaster be damaged? Will its rating be affected? 15
- (c) Define the following terms : 20
- (i) Drift velocity
  - (ii) Current density
  - (iii) Power
  - (iv) Electromotive force
- (d) The domestic power load in a house comprises the following :
- (i) 10 lamps of  $100\ \text{W}$  each
  - (ii) 5 fans of  $80\ \text{W}$  each
  - (iii) 1 refrigerator of  $0.5\ \text{hp}$
  - (iv) 1 heater of  $1\ \text{kW}$
- Calculate the total current taken from the supply of  $230\ \text{V}$ . 10

2. (a) Using Kirchhoff's law, determine the current  $I_A$  and  $I_B$  in the network shown in Figure 1. 15

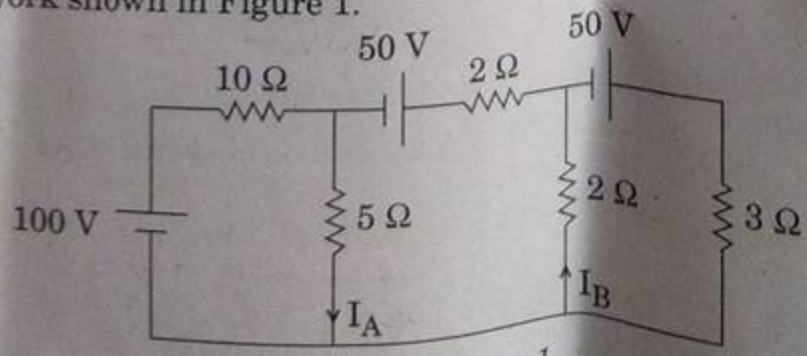


Figure 1

- (b) For the circuit shown in Figure 2, find  $I$  such that current in the  $100\ \Omega$  resistor is zero. 15

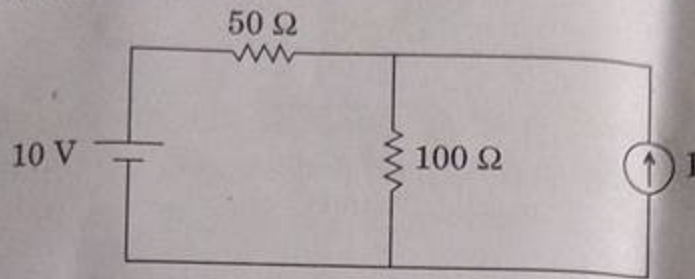


Figure 2

- (c) A series combination of two capacitances  $C_1 = 5\ \mu\text{F}$  and  $C_2 = 10\ \mu\text{F}$  is connected across a dc supply of 300 V. Determine the

- (i) charge
  - (ii) voltage
  - (iii) energy stored in each capacitor
- 15

- (d) Define the following terms :

- (i) Self-inductance
  - (ii) Flux
  - (iii) RMS value of alternating waves
- 15

3. (a) A circular coil of area  $300\ \text{cm}^2$  and 25 turns rotates about its vertical diameter with an angular speed of 40 rad/sec in a uniform horizontal magnetic field of magnitude 0.05 T. Find the maximum voltage induced in the coil. 10

- (b) Define the following terms :

- (i) Reluctance
  - (ii) Permeance
  - (iii) Magnetic Field Strength
- 15

(c) ✓ A coil has 1000 turns enclosing a magnetic circuit of  $20 \text{ cm}^2$  in cross-section. With 4 A current in the coil, the flux density is  $1.5 \text{ Wb/m}^2$ , and with 8 A current, it is  $1.9 \text{ Wb/m}^2$ . Find the mean value of inductance between these current limits and the induced emf if the current decreases from 8 A to 4 A in 0.05 sec. 15

(d) ✓ A coil A of 1200 turns and another coil B of 800 turns lie near each other so that 60 percent of the flux produced in one links with the other. It is found that a current of 5 A in coil A produces a flux of 0.25 mWb, while the same current in coil B produces a flux of 0.15 mWb. Determine the mutual inductance and coefficient of coupling between the coils. 20

4. (a) ✓ Determine the average and rms value of the resultant current in a wire carrying simultaneously a dc current of 10 A and sinusoidal current of peak value of 1.414 A. 10

(b) ✓ The resistance of a coil is  $3 \Omega$  and its time constant is 1.8 sec. At  $t = 0$  sec, a 10 V source is connected to it. Determine the 15

(i) current at  $t = 1$  sec

(ii) time at which the current attains half of its final value

(iii) initial rate of growth of current

(c) ✓ Explain in brief the following : 20

(i) Energy meter

(ii) CRO

(iii) 2 wattmeter method

(iv) Multimeter

(d) In a moving coil instrument, the coil has a length of 5 cm, a width of 4 cm and 100 turns. The magnetic flux density in the air gap is  $0.2 \text{ Wb/m}^2$ . The hair spring provides a controlling torque of  $0.5 \times 10^{-7} \text{ Nm/degree}$  deflection of the coil. What current will be required to give a deflection of  $60^\circ$  ? 15

5. (a) A shunt generator gives full load output of 30 kW at a terminal voltage of 200 V. The armature and shunt field resistances are 0.01  $\Omega$  and 100  $\Omega$  respectively. The iron and friction losses are 1000 W. Calculate the

- (i) emf generated
- (ii) copper losses
- (iii) efficiency

$$E_g = V + I_a R_a$$
$$= 200 + 17$$

- (b) Explain dynamic braking of 3-phase induction motor. 15
- (c) Explain in brief the following : 15
  - (i) Fractional kilowatt motors
  - (ii) Auto transformers
  - (iii) S.C. test of 3-phase transformer

(d) Explain parallel operation of two alternators. 15

6. (a) Explain in brief of the following : 30
- (i) Merz-price system of protection
  - (ii) Short-circuit current for symmetrical faults
  - (iii) Electric welding

(b) How is the rating of a cable determined ? 10

(c) What are the different configurations of BJT ? Explain each with suitable circuit diagram. 10

(d) Explain electric installation of machines and relevant IE rules in brief. 10